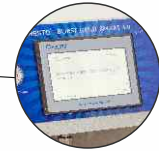
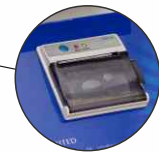




Burst Genie Smart 3.0



HMI Based
Touch Screen Display



Thermal Printer

MODEL No. PBG - 400 (2.0)

 **Auto Calculate**

$$\text{Burst factor} = \frac{\text{Bursting strength (gf/cm}^2\text{)}}{\text{Grammage (gf/m}^2\text{)}}$$

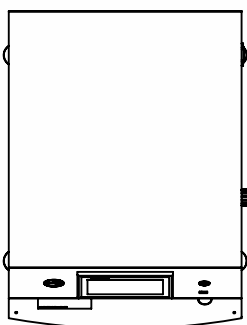
We are immensely proud to bring you "Burst Genie Smart 3.0", the all-new bursting strength testing equipment. This product is manufactured in a state of the art and is loaded with features for your convenience. The equipment is designed as a stable mechanical structure with focus of precision, quality and durability. The equipment is installed with thermal printer which can instantly print the test result without the hassle of cartridge refill. We have made sure that all relevant information is printed in real time.

The equipment is programmed with individual test templates for measurement with three ranges - low, medium and high. We have designed the equipment to provide ease of access by making it simple and yet featured. The equipment is featured in such a way that when a test is complete, the dynamic fixtures automatically move to home location. The equipment is designed to provide an easy access by automatically calculating the Bursting Factor and providing real time graph of the test with maximum, minimum and average results for ten samples.

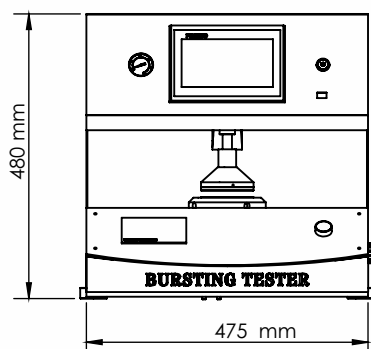
We have made all these features available to you from latest and fastest Human Machine Interface (HMI) powered by Cortex-A8 high speed processor and 65,536 colour LCD display panel with high brightness and contrast which has a user-friendly UI with alpha-numeric control. The HMI can also be connected with your computer for access. The UI is easy and simple to use while keeping the security in mind. The equipment is added with security layers to allow access only to registered user with unique ID and password. A dedicated program and UI is embedded in the equipment to perform equipment calibration which is also password protected to keep the unauthorized access away.

You can generate and download the soft copy of the report in-a-go in pdf format by inserting a USB in the HMI. The soft copy downloaded is non-editable and you don't have to worry about any alterations made to the report. Although if you feel like adding more information to the report, we provide you with an option to download your report in .csv format and you can add as much information you want to share.

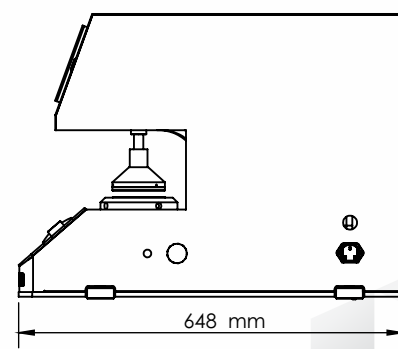
We hope you enjoy testing with PRESTO® precision.



Top View



Side View



Front View



Presto Stantest Pvt. Ltd.

I-42, DLF Industrial Area Phase-1, Delhi Mathura Road, Faridabad 121003, Haryana, India
P : 9210 903 903, +91 129 4272727, 93111 24302 E : info@prestogroup.com

• Faridabad • Sonapat • Kolkata • Mumbai • Pune • Ahmedabad
• Chennai • Bangalore • Hyderabad

www.prestogroup.com



Key Specifications:

Capacity	40 kg/cm ²
Display	LED (Digital)
Accuracy	± 1% within 10% to 90% of entire range as per IS 1828 with master gauge
Least Count/Resolution	0.1 Kg/cm ²
Power	220V, Single phase, 50 Hz
Test fluid	Glycerin about 98% purified (lab grade)
Rate of fluid displacement	95 cc/minute
Motor	1/4 HP Single Phase, 1440 rpm
Test Range	1Kg / cm ² to 38 Kg / cm ²

Optional Features:

Pneumatic and computerized models also available (with or without printer facility)
The Bursting strength in Kg/cm² of the test specimen is displayed on the digital display.
Thereafter bursting factor and burst index can be calculated by the user.

Standard Accessories :

- 100 ML Glycerin bottle 1no.
- Rubber Diaphragm pack of 2 nos.
- Calibrated Aluminium foil pack of 4 nos.
- Screw Driver 1 no.
- Glycerin bowl opening wrench 1 no.

Highlights:

Memory(to hold test value)	Up to 9 test values
Peak Hold Facility	Yes
Safety Switch	Yes
Material	Mild Steel
Finish	Powder coated Havel Gray & Blue combination finish and bright chrome / zinc plating for corrosion resistant finish
Dimensions	540x 600x 450 mm

Thank you customers for choosing us as your partners in growth !



*All the above logos are the sole property of their respective owners and are used purely for depiction purposes only.

OUR OTHER PRODUCTS :-

Box Compression Tester	Scuff Resistance Tester	Tensile Tester Digital	Spectrocolorimeter	Cobb Sizing Tester	Digital GSM Balance

